

ORBIT[®] Parts List and Ordering Instructions

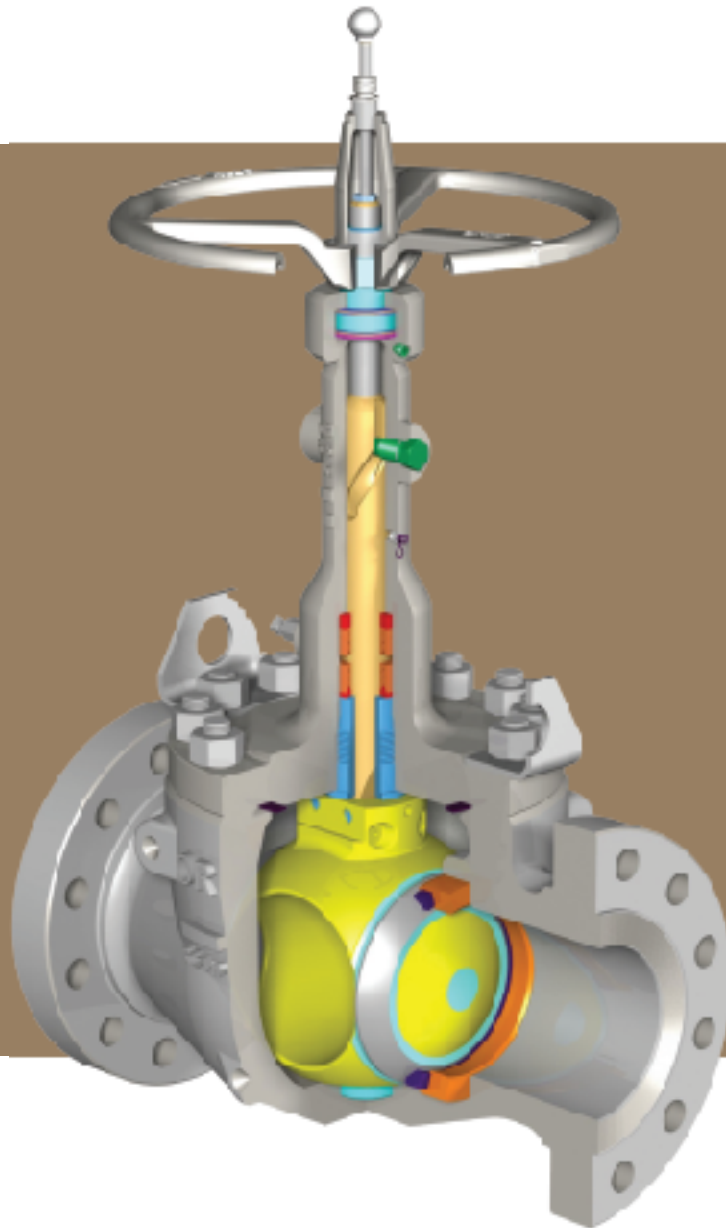


TABLE OF CONTENTS

ORBIT PARTS LIST AND ORDERING INSTRUCTIONS

Ordering Valve Parts _____	1
RISING STEM VALVES, ENCLOSED BONNET DESIGN	
Reduced and Full Port with Block-and-Bleed and Low Temperature Options, Non-Retained Stem Bore Size 1 1/2 in. to 8 in. (40 mm to 200 mm) ASME/ANSI Class 150 to 2500 _____	3
With Retained Stem Reduced and Full Port with Block-and-Bleed and Low Temperature Options Bore Size 1 in. to 8 in. (25 mm to 200 mm) ASME/ANSI Class 150 to 2500 _____	4
Reduced and Full Port with Block-and-Bleed Option, Threaded Bonnet Adapter Bore Size 6 in. to 10 in. (150 mm to 250 mm) ASME/ANSI Class 150 to 900 _____	5
With Integral Adapter Flange, Reduced and Full Port with Block-and-Bleed Option Bore Size 6 in. to 10 in. (150 mm to 250 mm) ASME/ANSI Class 150 to 900 _____	6
With Integral Adapter Flange, Reduced and Full Port with Block-and-Bleed Option Bore Size 12 in. (300 mm) ASME/ANSI Class 150 to 300 _____	7
Gear Operated, Reduced and Full Port with Block-and-Bleed Option Bore Size 10 in. to 12 in. (250 mm to 300 mm) ASME/ANSI Class 400 to 600 Bore Size 6 in. (150 mm) ASME/ANSI Class 1500 to 2500 _____	8
RISING STEM OS&Y VALVES	
Reduced and Full Port, Non-Retained Stem Bore Size 1 1/2 in. to 8 in. (40 mm to 200 mm) ASME/ANSI Class 150 to 1500 _____	9
Reduced and Full Port, Retained Stem Bore Size 1 1/2 in to 8 in. (40 mm to 200 mm) ASME/ANSI Class 150 to 1500 _____	10
Reduced and Full Port, Threaded Bonnet Adapter Bore Size 6 in. to 10 in. (150 mm to 250 mm) ASME/ANSI Class 150 to 900 _____	11
With Integral Adapter Flange, Reduced and Full Port Bore Size 6 in. to 12 in. (150 mm to 300 mm) ASME/ANSI Class 150 to 900 _____	12
Gear Operated, Reduced and Full Port, Integral Flange Adapter Bore Size 8 in. to 16 in. (150 mm to 400 mm) ASME/ANSI Class 150 to 2500 _____	13
RISING STEM API VALVES	
Non-Retained Stem Bore Size 1 in. to 4 in. (25 mm to 100 mm) Working Pressure 1000 to 3000 psi _____	14
With Retained Stem Bore Size 2 in to 4 in. (50 mm to 100 mm) Working Pressure 1000 to 3000 psi _____	15
API and ASME/ANSI Bore Size 2 in. to 3 in. (50 mm to 80 mm) Working Pressure 5000 psi Bore Size 3 in. ASME/ANSI Class 2500 _____	16
NON-RISING STEM VALVES, API AND ASME/ANSI	
Reduced and Full Port Bore Size 2 in. & 2 1/2 in. (50 mm & 65 mm) API Class 3000 and 5000 Bore Size 2 in. to 8 in. (50 mm to 200 mm) ASME/ANSI Class 600 to 2500 _____	17
ORBIT DRILLING VALVES _____	18
STEM PACKING MATERIALS _____	19
TRADEMARKS _____	20
ADDITIONAL ORBIT INFORMATION	
The Company and it's Products	
Technical Reference Data	
Dimensional Data, Valves and Actuators	
Automated Valve Packages	
Standard Instrumentation Packages	
Installation and Maintenance	

PARTS LIST AND ORDERING INSTRUCTIONS ORDERING VALVE PARTS

ORBIT VALVE			STANDARD TRIM	
LITTLE ROCK, ARK				
SIZE	3" 900 CL		END TO END 15"	
FIG	1523H RF		1995 MOP AT +500F	
	SN 110091620001		2250 MOP AT -20F	
PKG	GP6		STEM AS	
SEAT	CR13 TEF		BODY STEEL WCC	
MFG	6D-0073		CORE TRIM 17-4	
DATE	04/01 ISO 14313		CORE FACE NI	
IMPACT	TEMP -50F		TEMP -20/+500F	

When placing orders for parts, you should furnish the valve size, figure number and **serial number** to insure that correct placement parts are ordered. This information is provided on the valve or actuator nameplate attached to the valve bonnet or actuator respectively. If the nameplate is not legible or missing due to painting damage or corrosion, the serial number may also be found stamped on the valve body. Refer to Figure 1 for the location of the stamped serial number. With the valve serial number, your ORBIT Representative will be able to obtain the correct size and figure number from our records.

NOTE: All nameplates and caution tags should be replaced if not legible.

The valve size and figure number allows you to select the page of this manual with the proper valve illustration and parts descriptions. Titles at the top of the illustration pages give the valve model, bore size and ASME/ANSI Class or API working pressure on each page.

IMPORTANT:

The BORE SIZE refers to the MINIMUM OPENING THROUGH THE VALVE.

EXAMPLE:

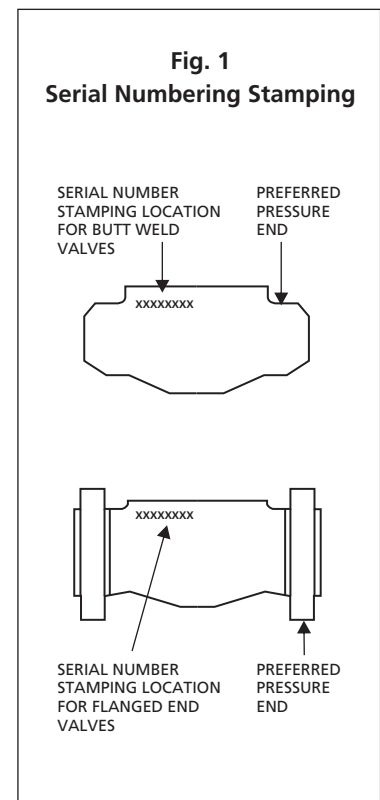
If parts are needed for a 4 in. x 3 in. figure number 1433, ASME/ANSI Class 600 ORBIT valve, the BORE SIZE is 3in., although the end flanges are 4 in. Use 3 in. bore size for proper parts. Many ORBIT valves have serial numbers with lettered prefixes that are indicator of the valve bonnet design. All valves with serial number prefixes and valves manufactured after the year 1989 have stems that are positively retained by a shoulder in the valve bonnet. It is important to use pages 4, 10 or 15 for selecting parts for valves with serial number prefixes and all current valves with Retained Stems. Use pages 3, 9 or 14 for selecting parts for valves with Non-Retained Stems.

Parts should be ordered by the part names listed on the illustrations.

Give complete shipping instructions when ordering by telephone or written order. Telephone orders must be confirmed in writing.

BOXING CHARGES

There will be no charges for boxing parts for shipment to Domestic destinations. Export boxing charges will be quoted upon application, and such charges will be based upon discounted net invoice with a minimum charge of thirty-five dollars (\$35.00 US). All export boxing charges will be added to the parts invoice.



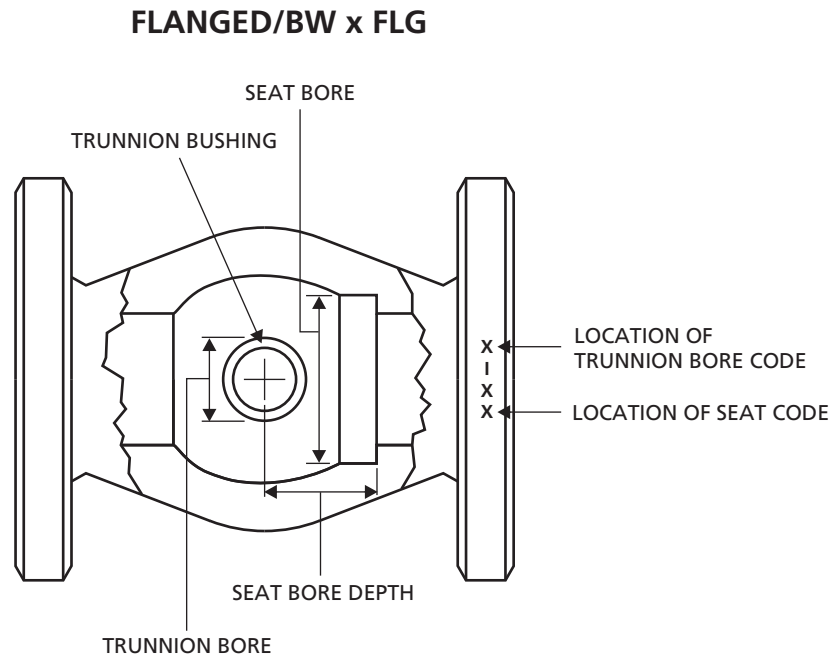
PARTS LIST AND ORDERING INSTRUCTIONS SEAT CODE STAMPING

Seat code stampings are used to designate the seat length and outside diameter of a specific valve. A seat code stamping other than "AA" designates a seat that is oversize, either in length or outside diameter or both.

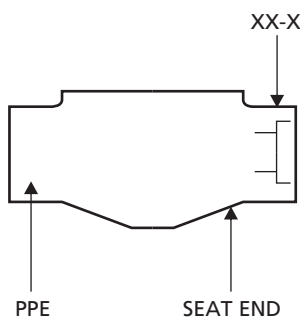
For general stock by customers or repair shops, ORBIT furnishes two seat sizes, standard (AA) and (FULL) over size. The standard or "AA" seats require no machining to be installed in a body marked "AA". However for bodies marked other than "AA". And over size seat has to be turned down both in outside diameter and length.

If you desire to stock oversize seats, consult your ORBIT Representative for additional machining information.

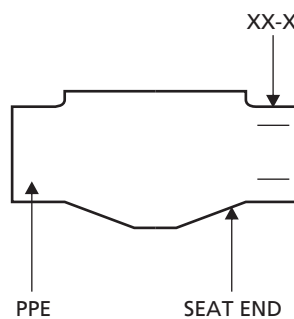
Valve seat codes are located in positions shown below.



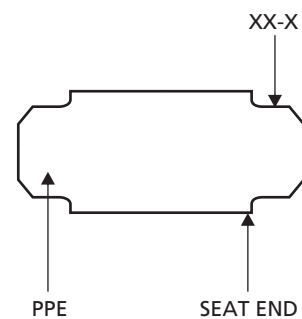
SOCKET WELD



THREADED END



BUTT WELD

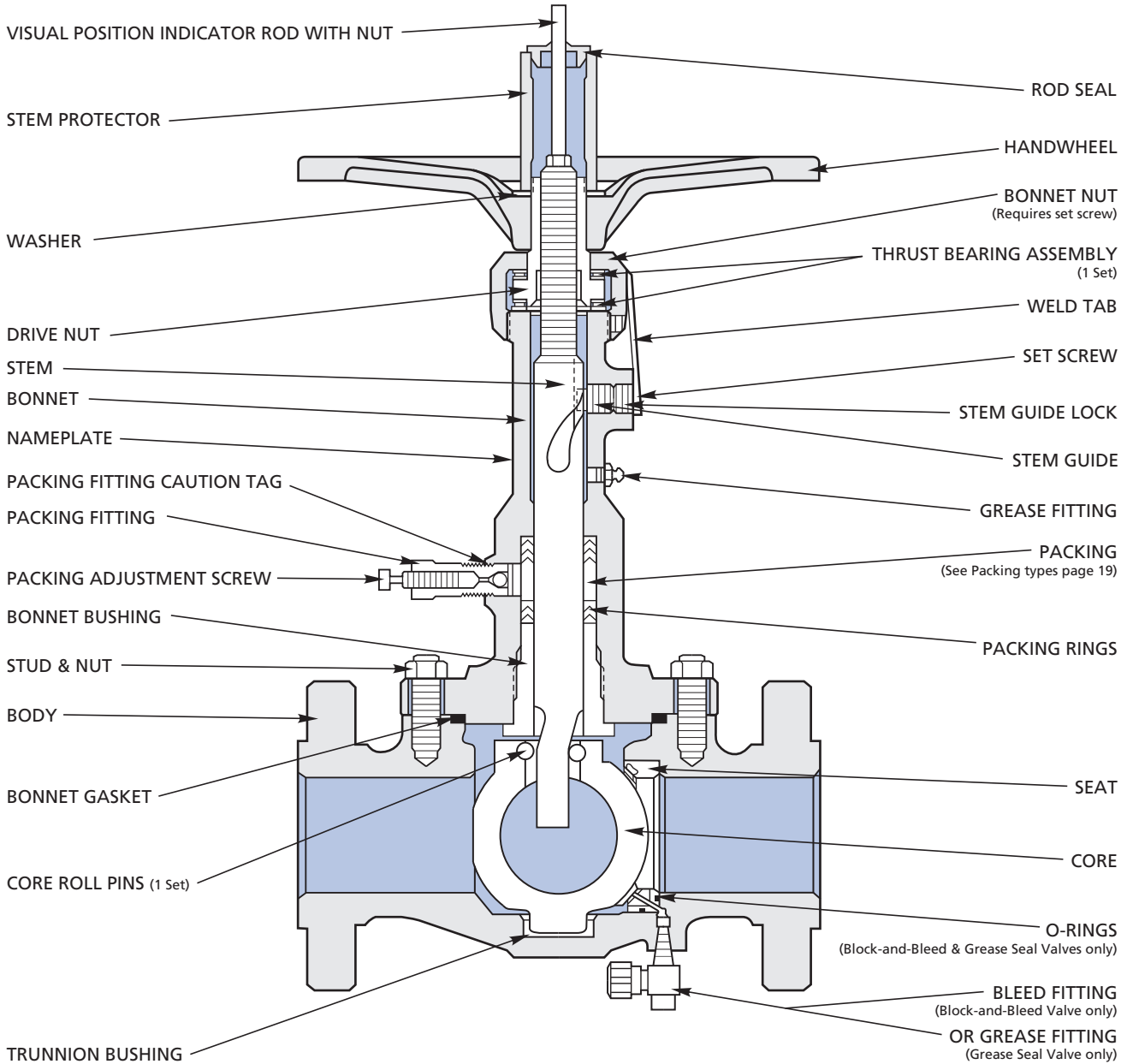
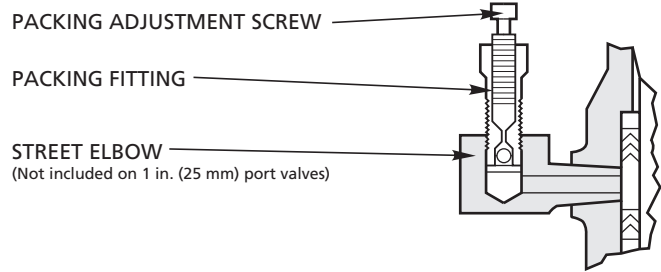


Note: When parts are ordered from ORBIT Valve by a specific serial number, the seat will come machined to match the seat bore. No further machining of the seat will be required before installation.

PARTS LIST AND ORDERING INSTRUCTIONS MODELS WITH ONE-PIECE, NON-RETAINED STEM & SINGLE STEM GUIDE, REDUCED AND FULL PORT

BORE SIZE in. (mm)	ASME/ANSI CLASS
1 1/2 to 8 (40 to 200)	150, 300 & 400
1 to 6 (25 to 150)	600
1 1/2 to 4 (40 to 100)	900
1 to 4 (25 to 100)	1500
1 to 2 (25 to 50)	2500

LOW TEMPERATURE MODEL

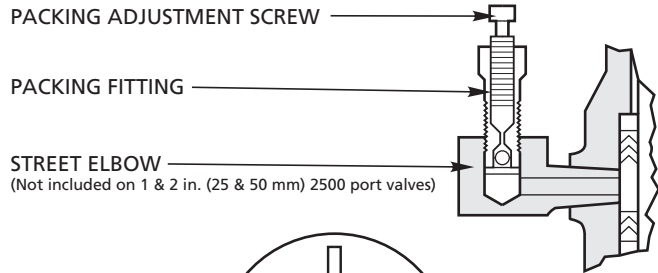


Not shown but included with valve when shipped: Service Tags, Caution Tags, Lubrication and Stem Packing Adjustment, Installation and Maintenance Manual. Contact your ORBIT Representative for additional information on service and caution tags for your particular valve.

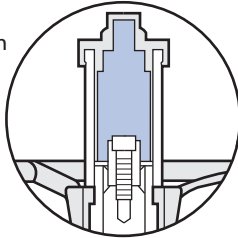
PARTS LIST AND ORDERING INSTRUCTIONS - RISING STEM VALVES MODELS WITH ONE-PIECE, RETAINED STEM & SINGLE OR DUAL STEM GUIDES, REDUCED AND FULL PORT

BORE SIZE in. (mm)	ASME/ANSI CLASS
1 to 8 (25 to 200)	150 & 300
1 to 6 (25 to 150)	400 & 600
1 to 4 (25 to 100)	900 & 1500
2 (50)	2500

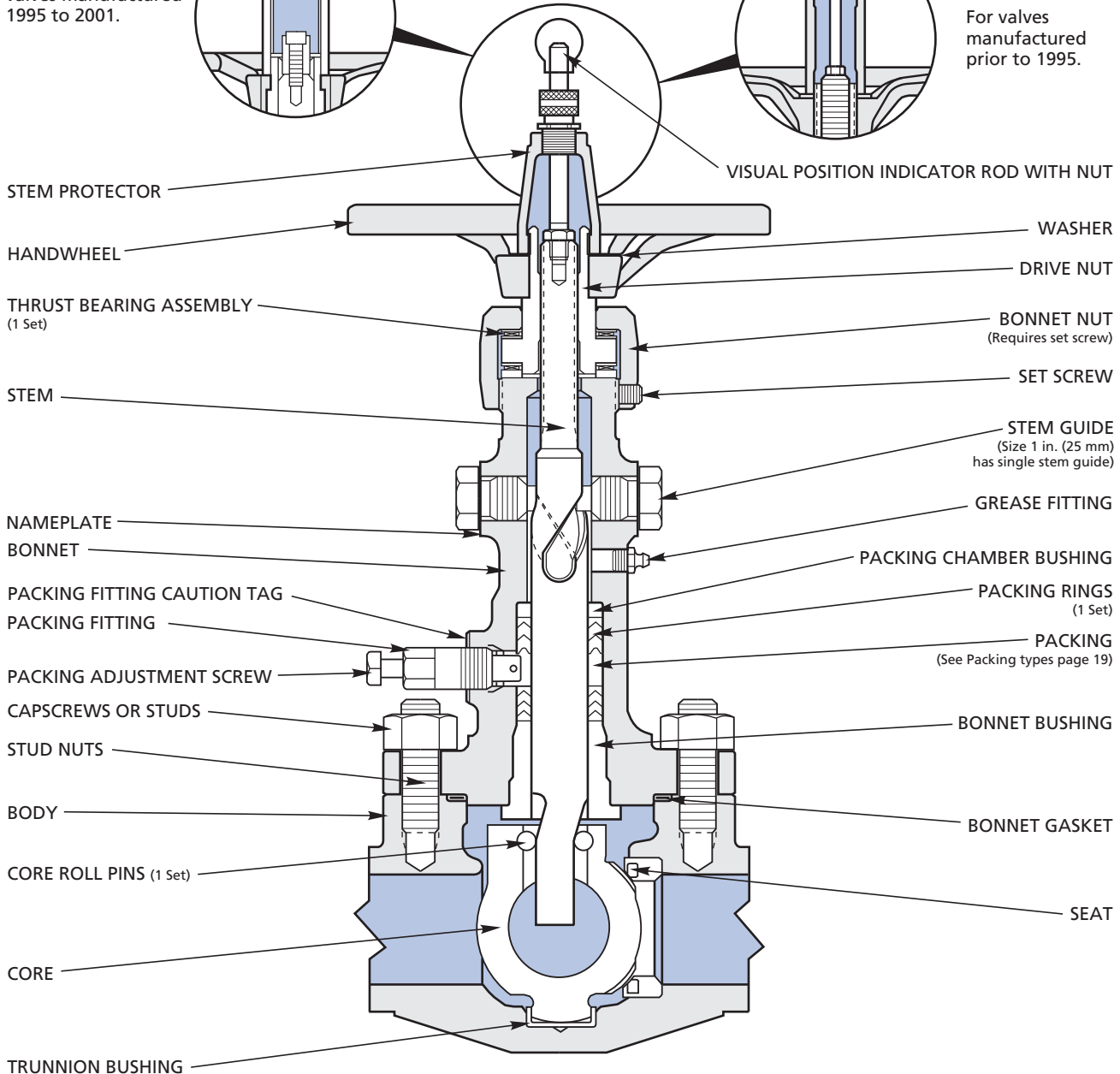
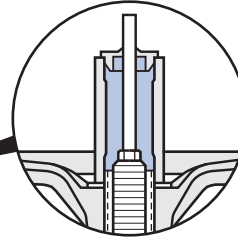
LOW TEMPERATURE MODEL



Fully enclosed 1/4 turn position indicator on valves manufactured 1995 to 2001.



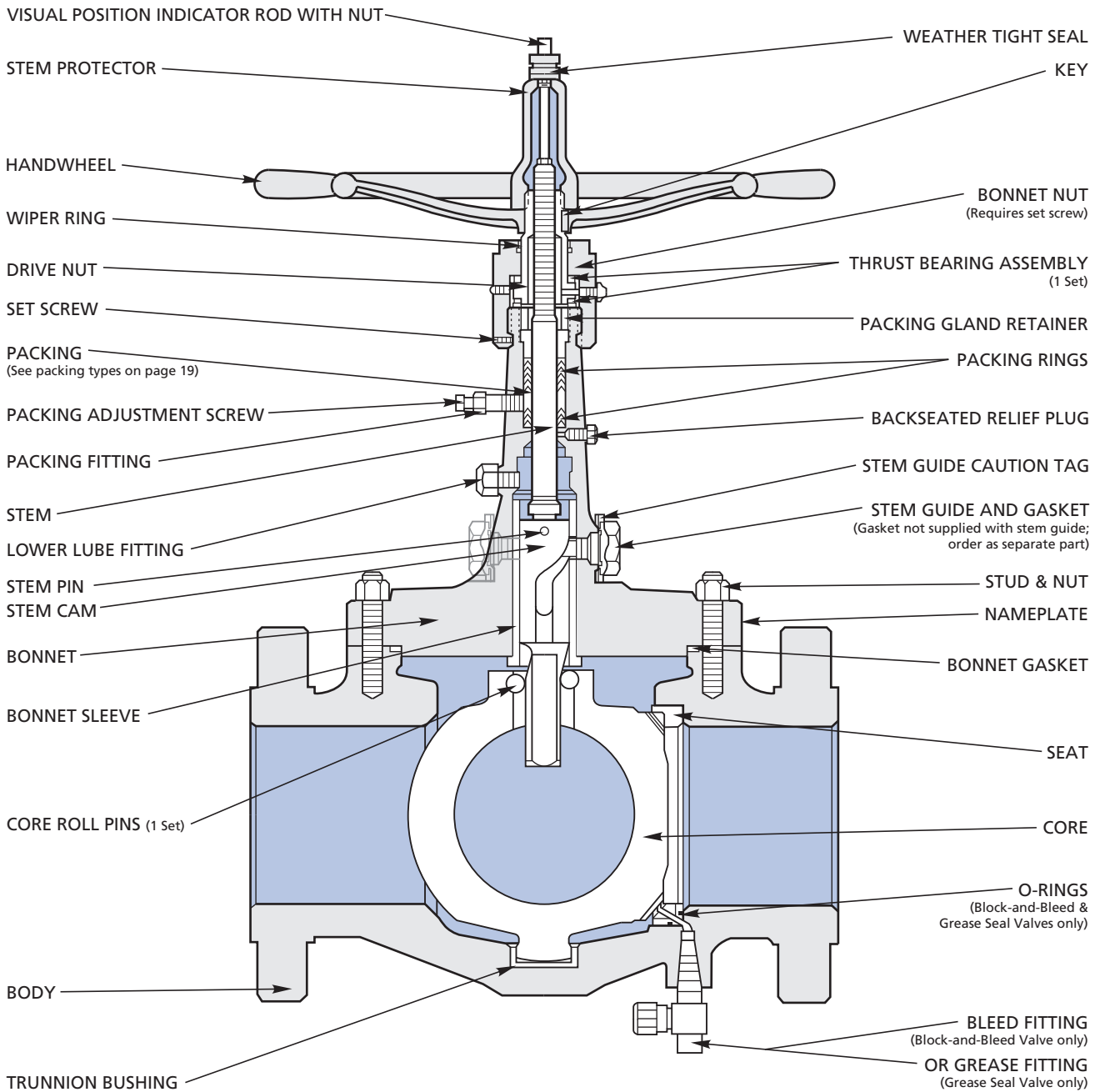
For valves manufactured prior to 1995.



Not shown but included with valve when shipped: Service Tags, Caution Tags, Lubrication and Stem Packing Adjustment, Installation and Maintenance Manual. Contact your ORBIT Representative for additional information on service and caution tags for your particular valve.

PARTS LIST AND ORDERING INSTRUCTIONS - RISING STEM VALVES MODELS WITH ONE-PIECE, RETAINED STEM & SINGLE OR DUAL STEM GUIDES, REDUCED AND FULL PORT

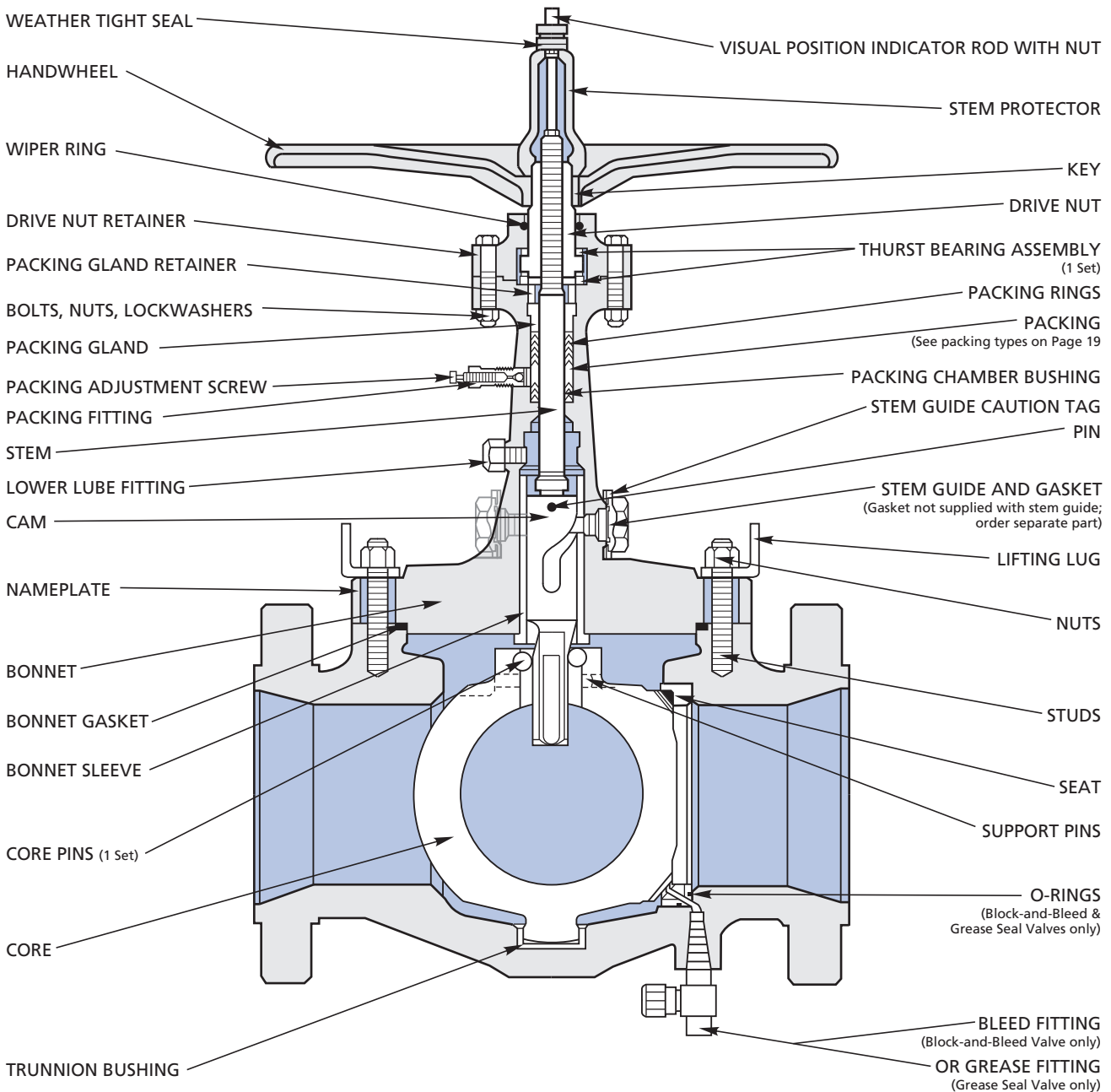
BORE SIZE in. (mm)	ASME/ANSI CLASS
6 (150)	900
8 (200)	600
10 (250)	150 & 300



Not shown but included with valve when shipped: Service Tags, Caution Tags, Lubrication and Stem Packing Adjustment, Installation and Maintenance Manual. Contact your ORBIT Representative for additional information on service and caution tags for your particular valve.

PARTS LIST AND ORDERING INSTRUCTIONS - RISING STEM VALVES WITH INTEGRAL ADAPTER FLANGE, REDUCED AND FULL PORT

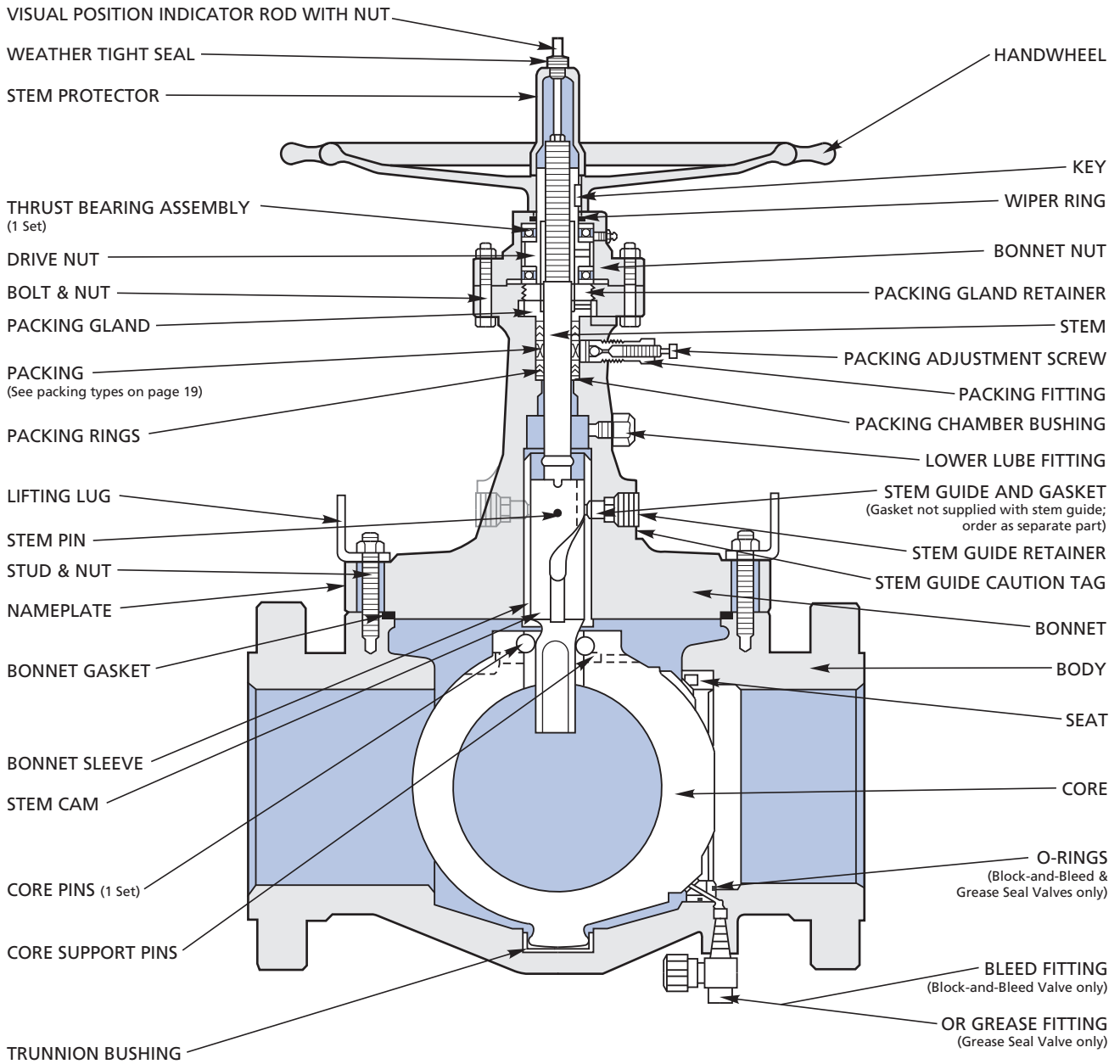
BORE SIZE in. (mm)	ASME/ANSI CLASS
6 (150)	900
8 (200)	400 & 600
10 (250)	150 & 300



Not shown but included with valve when shipped: Service Tags, Caution Tags, Lubrication and Stem Packing Adjustment, Installation and Maintenance Manual. Contact your ORBIT Representative for additional information on service and caution tags for your particular valve.

PARTS LIST AND ORDERING INSTRUCTIONS - RISING STEM VALVES WITH INTEGRAL ADAPTER FLANGE, REDUCED AND FULL PORT

BORE SIZE in. (mm)	ASME/ANSI CLASS
12 (300)	150 & 300

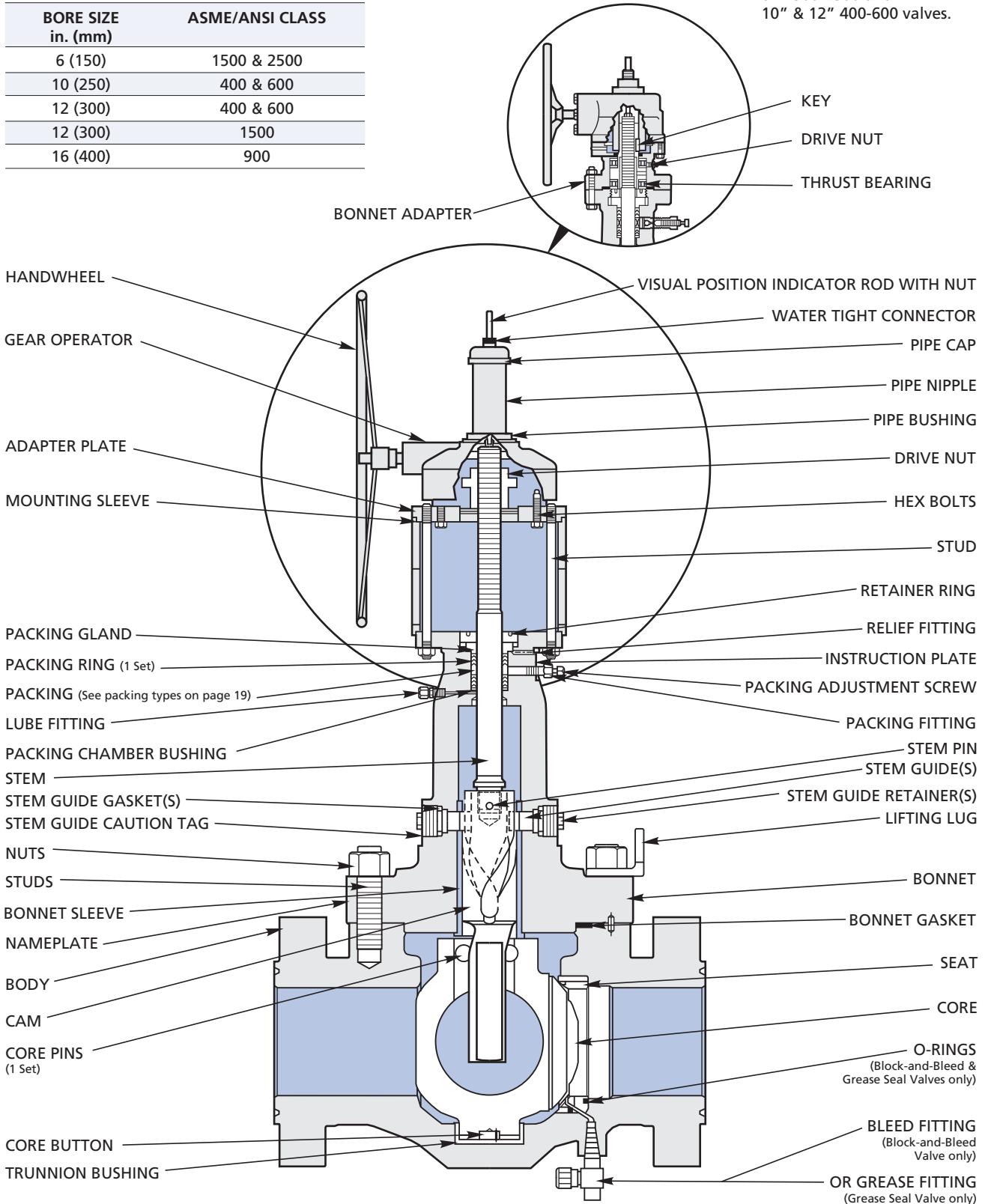


Not shown but included with valve when shipped: Service Tags, Caution Tags, Lubrication and Stem Packing Adjustment, Installation and Maintenance Manual. Contact your ORBIT Representative for additional information on service and caution tags for your particular valve.

PARTS LIST AND ORDERING INSTRUCTIONS - RISING STEM VALVES GEAR OPERATED, REDUCED AND FULL PORT

This construction is used for
6" 1500-2500 and
10" & 12" 400-600 valves.

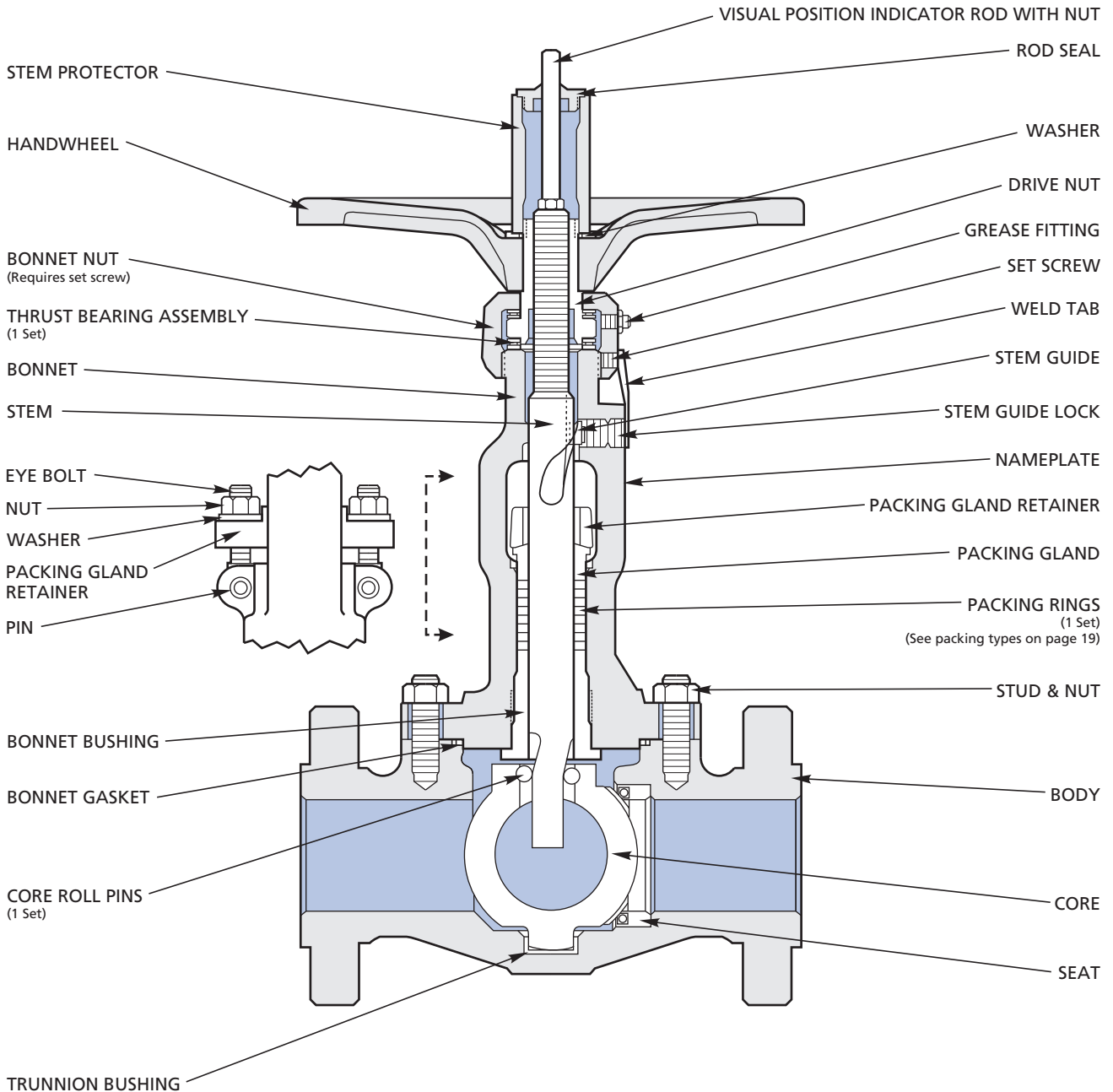
BORE SIZE in. (mm)	ASME/ANSI CLASS
6 (150)	1500 & 2500
10 (250)	400 & 600
12 (300)	400 & 600
12 (300)	1500
16 (400)	900



Not shown but included with valve when shipped: Service Tags, Caution Tags, Lubrication and Stem Packing Adjustment, Installation and Maintenance Manual. Contact your ORBIT Representative for additional information on service and caution tags for your particular valve.

PARTS LIST AND ORDERING INSTRUCTIONS - RISING STEM OS&Y VALVES MODELS WITH ONE-PIECE, NON-RETAINED STEM & SINGLE STEM GUIDE, REDUCED AND FULL PORT

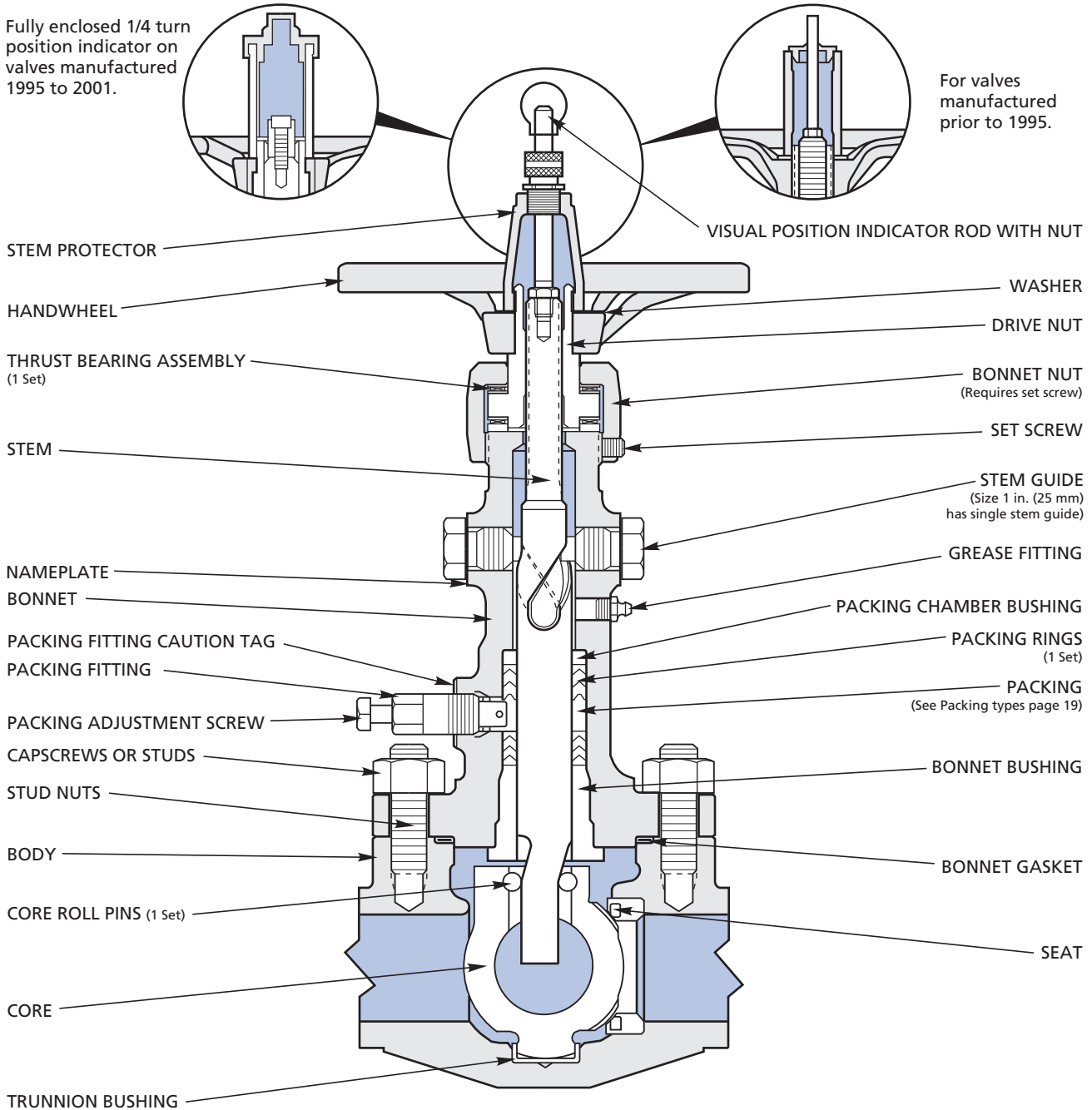
BORE SIZE in. (mm)	ASME/ANSI CLASS
1 1/2 to 8 (40 to 200)	150, 300 & 400
2 to 6 (50 to 150)	600
2 to 4 (50 to 100)	900
2 to 3 (50 to 80)	1500



Not shown but included with valve when shipped: Service Tags, Caution Tags, Lubrication and Stem Packing Adjustment, Installation and Maintenance Manual. Contact your ORBIT Representative for additional information on service and caution tags for your particular valve.

PARTS LIST AND ORDERING INSTRUCTIONS - RISING STEM OS&Y VALVES MODELS WITH ONE-PIECE, RETAINED STEM & SINGLE OR DUAL STEM GUIDE, REDUCED AND FULL PORT

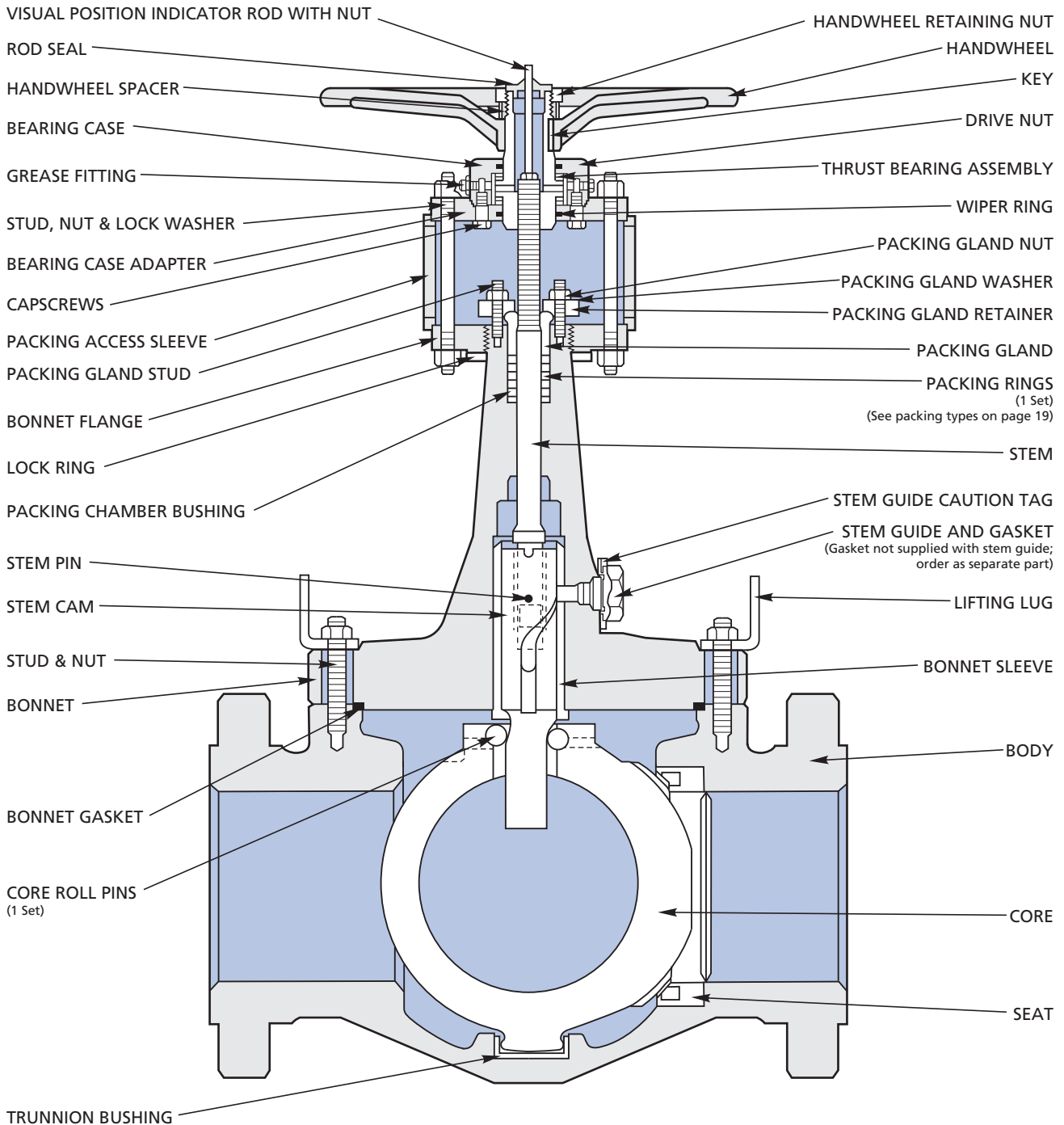
BORE SIZE in. (mm)	ASME/ANSI CLASS
1 to 8 (25 to 200)	150 & 300
1 to 6 (25 to 150)	400 & 600
1 to 4 (25 to 100)	900
1 to 3 (25 to 80)	1500



Not shown but included with valve when shipped: Service Tags, Caution Tags, Lubrication and Stem Packing Adjustment, Installation and Maintenance Manual. Contact your ORBIT Representative for additional information on service and caution tags for your particular valve.

PARTS LIST AND ORDERING INSTRUCTIONS - RISING STEM OS&Y VALVES REDUCED AND FULL PORT

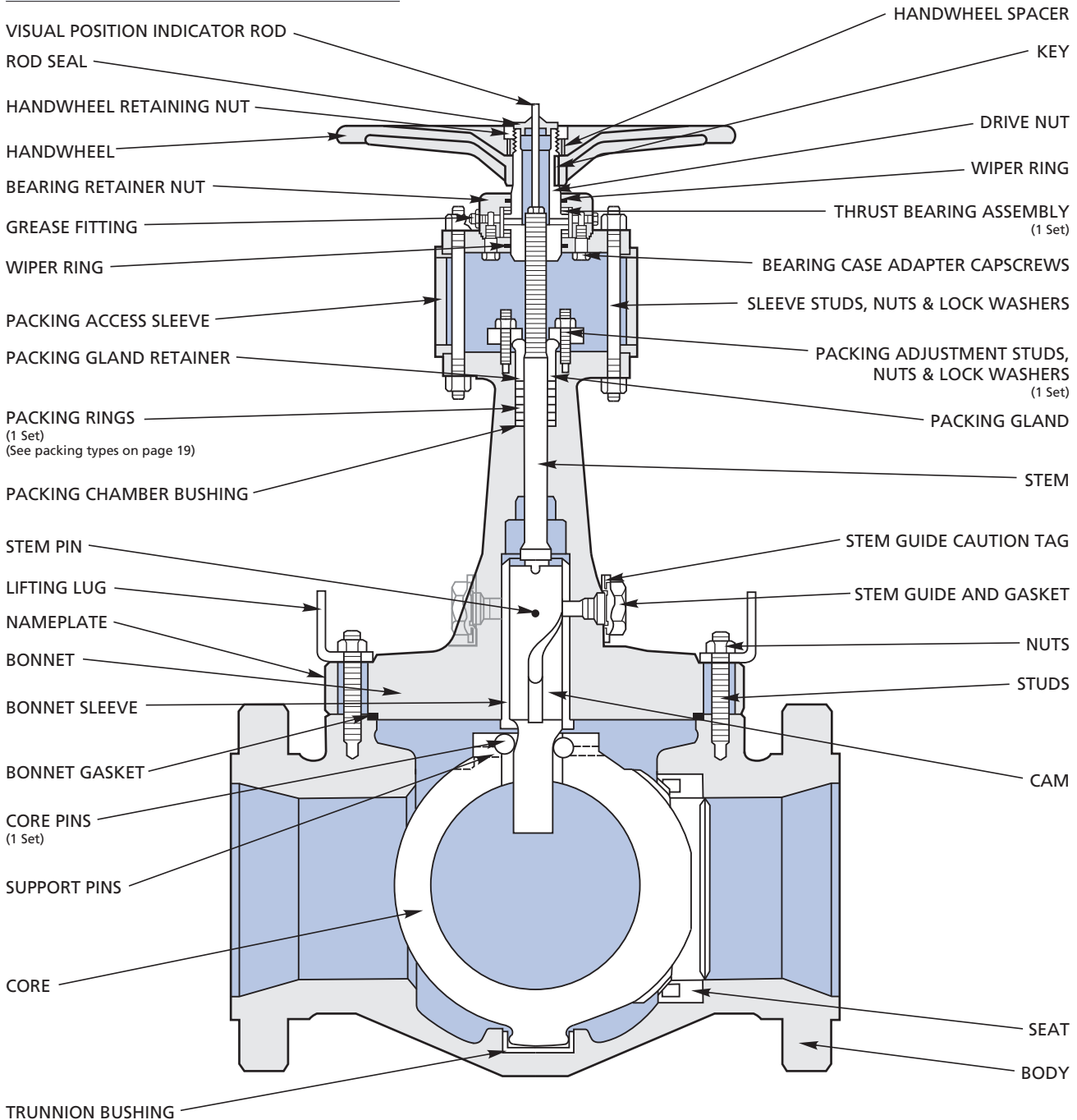
BORE SIZE in. (mm)	ASME/ANSI CLASS
6 (150)	900
8 (200)	600
10 (250)	150 & 300



Not shown but included with valve when shipped: Service Tags, Caution Tags, Lubrication and Stem Packing Adjustment, Installation and Maintenance Manual. Contact your ORBIT Representative for additional information on service and caution tags for your particular valve.

PARTS LIST AND ORDERING INSTRUCTIONS - RISING STEM OS&Y VALVES WITH INTEGRAL ADAPTER FLANGE, REDUCED AND FULL PORT

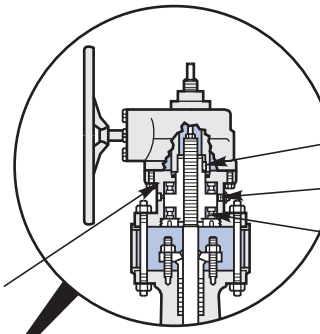
BORE SIZE in. (mm)	ASME CLASS
6 (150)	900
8 (200)	600
10 (250)	150 & 300
12 (250)	150 & 300



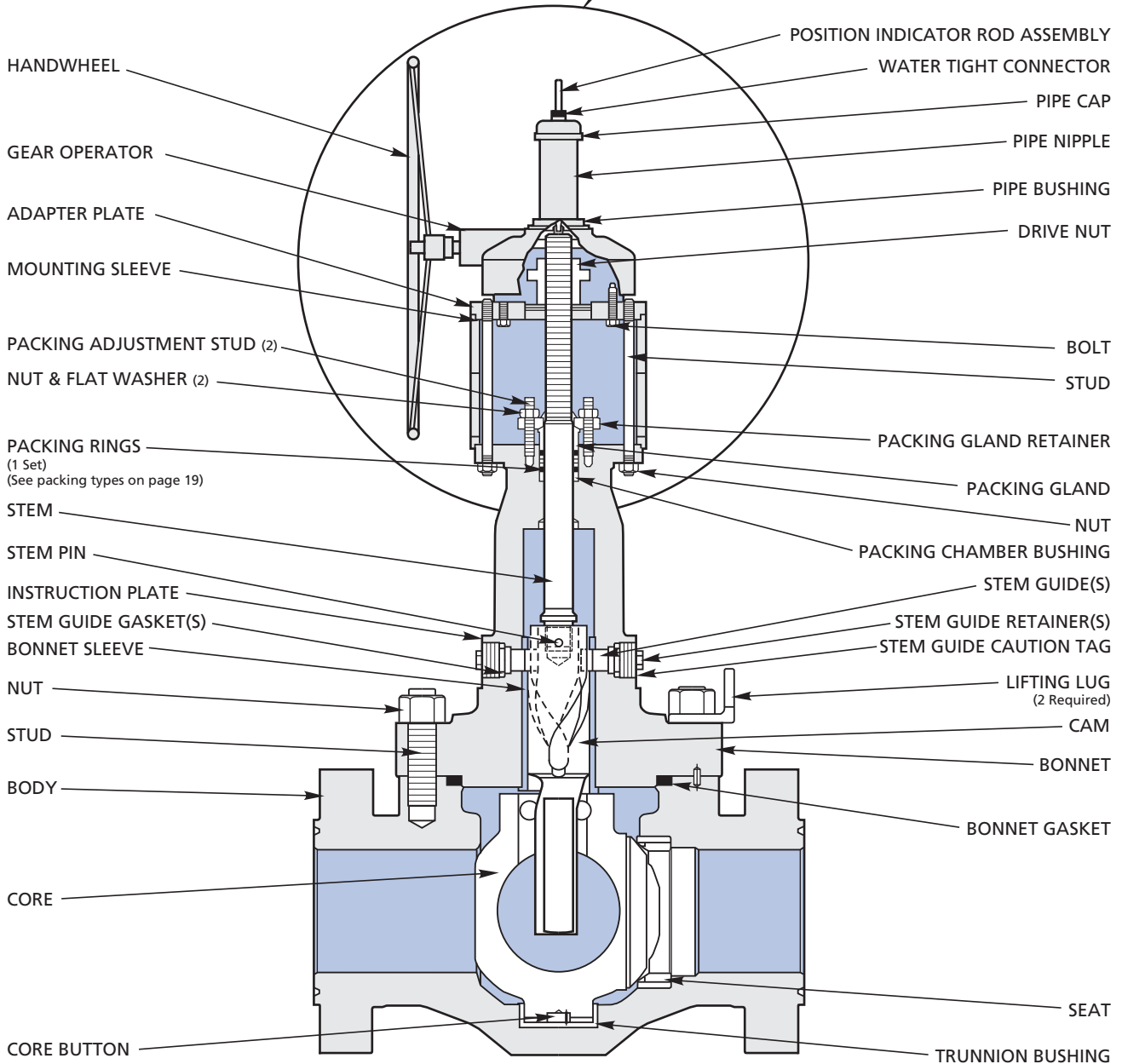
Not shown but included with valve when shipped: Service Tags, Caution Tags, Lubrication and Stem Packing Adjustment, Installation and Maintenance Manual. Contact your ORBIT Representative for additional information on service and caution tags for your particular valve.

PARTS LIST AND ORDERING INSTRUCTIONS - RISING STEM OS&Y VALVES GEAR OPERATED, REDUCED AND FULL PORT

BORE SIZE in. (mm)	ASME/ANSI CLASS
8 (200)	900
10 (250)	600 & 900
12 (300)	600, 900 & 1500
14 (350)	300 & 600
16 (400)	150, 300, 600 & 900
20 (500)	300 & 600



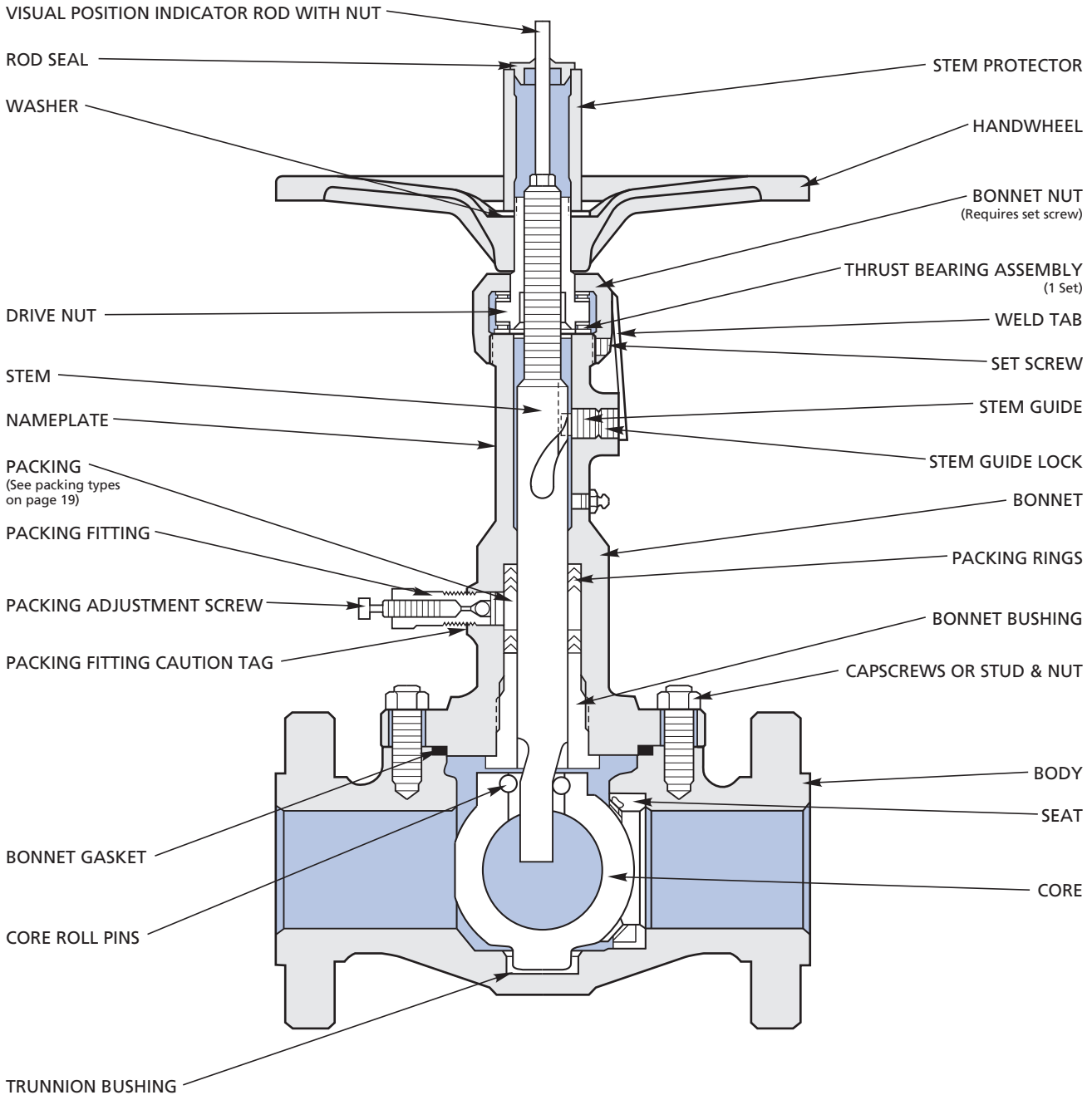
This construction is used for 8", 10", 12" and 14" valves.



Not shown but included with valve when shipped: Service Tags, Caution Tags, Lubrication and Stem Packing Adjustment, Installation and Maintenance Manual. Contact your ORBIT Representative for additional information on service and caution tags for your particular valve.

PARTS LIST AND ORDERING INSTRUCTIONS - RISING STEM API VALVES MODELS WITH ONE-PIECE, NON-RETAINED STEM & SINGLE STEM GUIDE

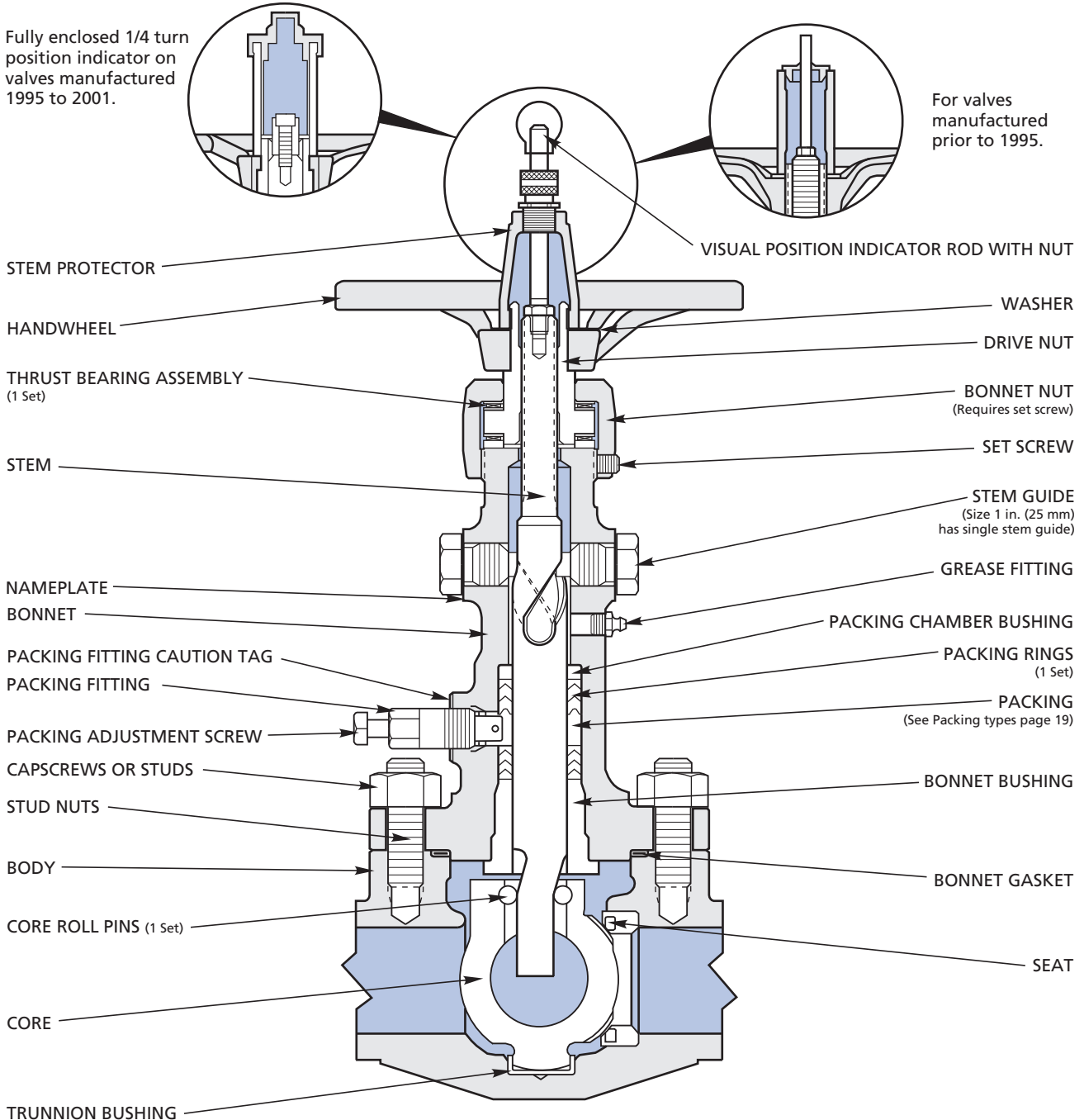
BORE SIZE in. (mm)	WORKING PRESSURE
1, 2, 2 1/2, 3 & 4 (25, 50, 65, 80 & 100)	1000 to 3000 psi



Not shown but included with valve when shipped: Service Tags, Caution Tags, Lubrication and Stem Packing Adjustment, Installation and Maintenance Manual. Contact your ORBIT Representative for additional information on service and caution tags for your particular valve.

PARTS LIST AND ORDERING INSTRUCTIONS - RISING STEM API VALVES MODELS WITH ONE-PIECE RETAINED STEM & SINGLE OR DUAL STEM GUIDES

BORE SIZE in. (mm)	WORKING PRESSURE
2, 3 & 4 (50, 80 & 100)	1000 to 3000 psi
2 1/2 (65)	2000 to 3000 psi

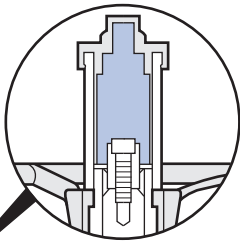


Not shown but included with valve when shipped: Service Tags, Caution Tags, Lubrication and Stem Packing Adjustment, Installation and Maintenance Manual. Contact your ORBIT Representative for additional information on service and caution tags for your particular valve.

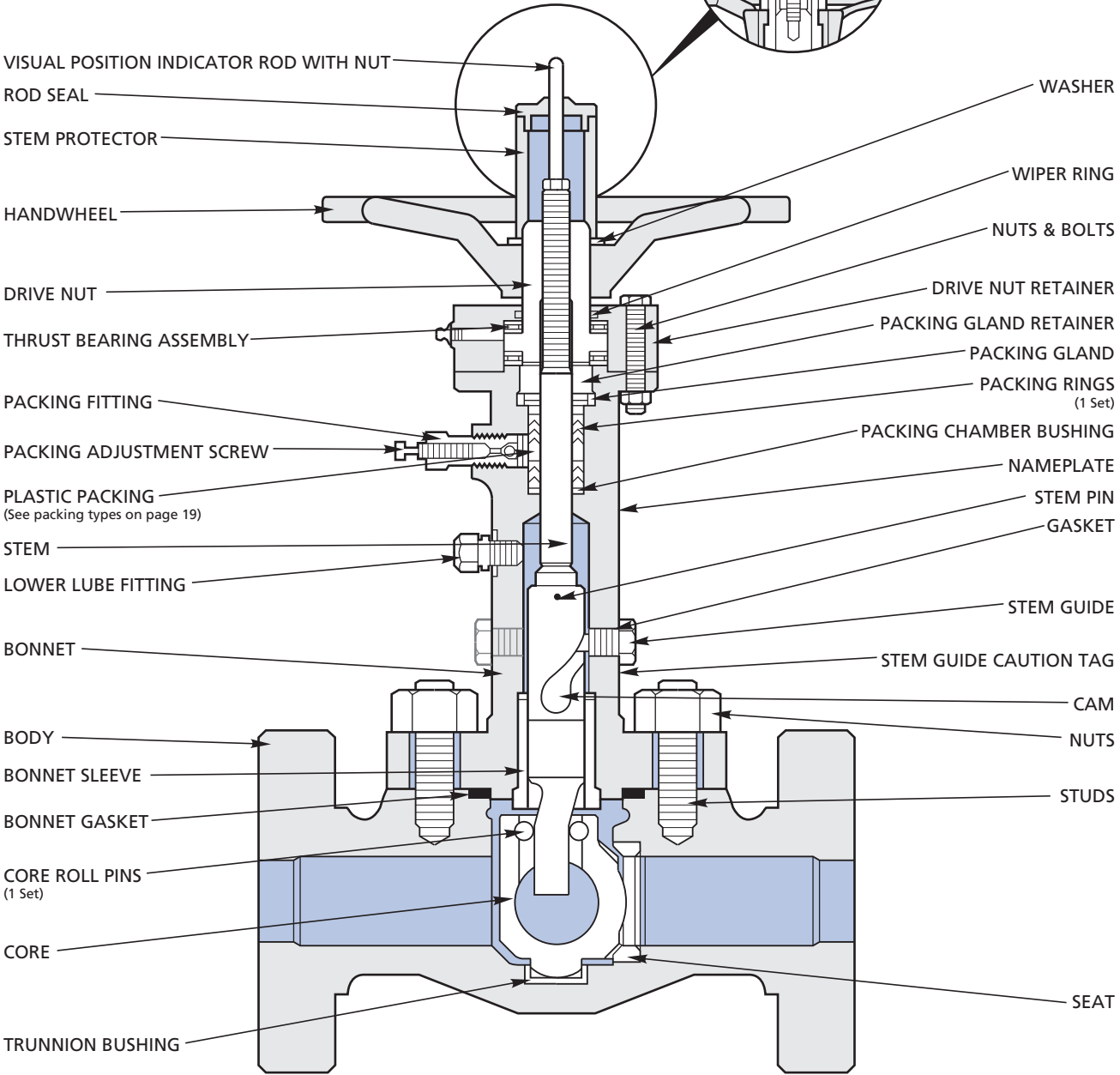
PARTS LIST AND ORDERING INSTRUCTIONS RISING STEM ASME AND API VALVES WITH SERIAL NUMBER PREFIX

BORE SIZE in. (mm)	WORKING PRESSURE
2, 2 1/2 & 3 (50, 65 & 80)	5000 psi

BORE SIZE in. (mm)	ASME/ANSI CLASS
3 (80)	2500



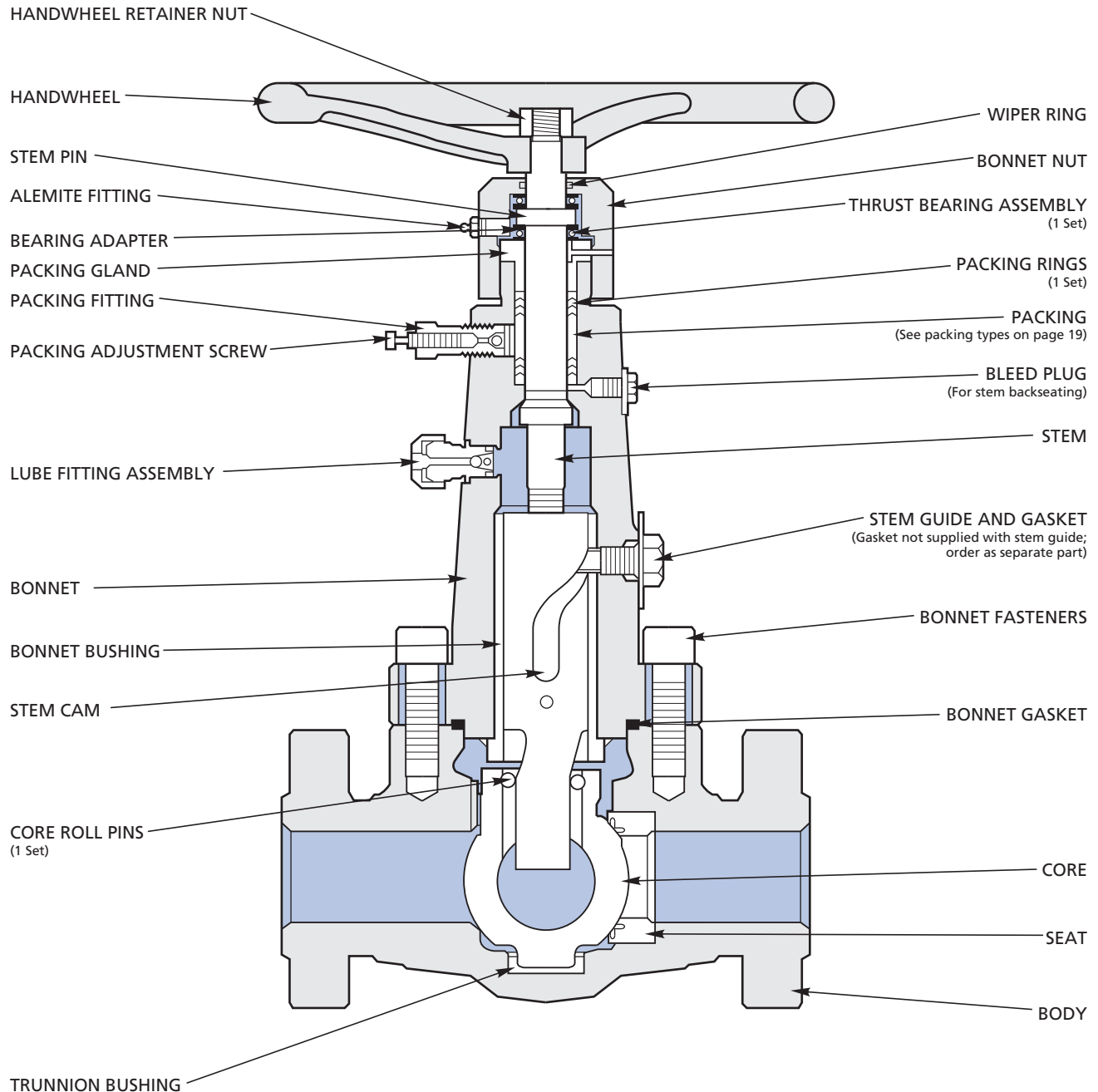
Fully enclosed 1/4 turn position indicator on valves manufactured 1995 and later.



Not shown but included with valve when shipped: Service Tags, Caution Tags, Lubrication and Stem Packing Adjustment, Installation and Maintenance Manual. Contact your ORBIT Representative for additional information on service and caution tags for your particular valve.

PARTS LIST AND ORDERING INSTRUCTIONS - NON-RISING STEM VALVES REDUCED AND FULL PORT

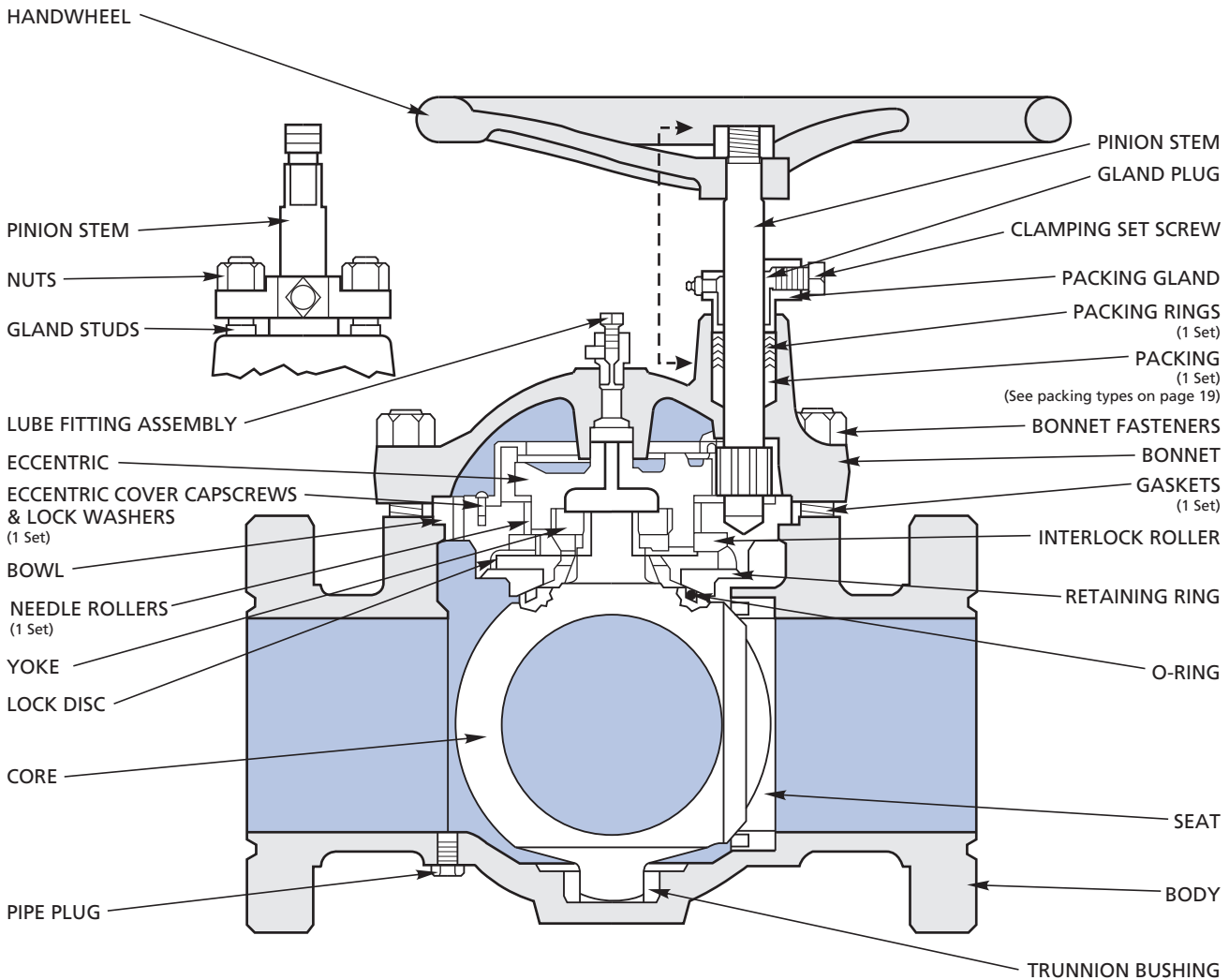
BORE SIZE in. (mm)	CLASS
2 & 2 1/2 (50 & 65)	3000 & 5000 API
2 & 3 (50 & 80)	2500 ASME/ANSI
6 (150)	900 ASME/ANSI
8 (200)	600 ASME/ANSI



Not shown but included with valve when shipped: Service Tags, Caution Tags, Lubrication and Stem Packing Adjustment, Installation and Maintenance Manual. Contact your ORBIT Representative for additional information on service and caution tags for your particular valve.

PARTS LIST AND ORDERING INSTRUCTIONS ORBIT DRILLING VALVES

BORE SIZE in. (mm)	WORKING PRESSURE
5 1/2 (140)	2000 & 3000 psi
6 & 7 (150 & 175)	All Pressures
6 x 7 (150 x 175)	All Pressures



Not shown but included with valve when shipped: Service Tags, Caution Tags, Lubrication and Stem Packing Adjustment, Installation and Maintenance Manual. Contact your ORBIT Representative for additional information on service and caution tags for your particular valve.

PARTS LIST AND ORDERING INSTRUCTIONS CURRENT STEM PACKING MATERIALS

GP-6 General Service	GP-7 Oxygen and Related Service	GP-19 Ammonia Service	GP-20 High Temperature (Graphite Rings OS&Y Model)
	GP-26 316 S.S. Valve	GP-27 Unleaded Gasoline With MTBE*	

RECOMMENDED REPLACEMENT FOR DISCONTINUED PACKING

Obsolete Packing	Recommended Use	Recommended Replacement
GP-5	General Service	GP-6
GP-8	Hydrogen Fluoride Service	GP-19
GP-9	Hydrogen Sulfide Service	GP-6
GP-10	-50°F Service	GP-6
GP-11	Hydril Valve Stem Packing	GP-7
GP-12	Halogen Style	GP-7
GP-14	Chlorine Service	None**
GP-15	HFU Service	GP-19
GP-16	800°F Service (Rings O.S.&Y. Model Only)	GP-20
GP-17	-100°F Service	None**
GP-18	600°F Service (Injectable)	None**
GP-22	600°F Service (Injectable)	None**

* MTBE - Methyl Tertiary Buthyl Ether.

** Closed Bonnets using Injectable Packing should be replaced with OS&Y Bonnet using Graphite Rings.

TRADEMARK INFORMATION

ORBIT® is a registered trademark which is owned by Cameron.

This document contains references to registered trademarks or product designations, which are not owned by Cameron.

Trademark	Owner
CARPENTER 450	Carpenter Technology Corp.
HASTELLOY	Haynes International, Inc.
INCONEL	INCO Nickel Sales, Inc.
LATROBE	Timkin Latrobe Steel
MONEL	INCO Alloys International, Inc.
PEEK	Victrex PLC Corp United Kingdom
STELLITE	Stoody Deloro Stellite, Inc.
TEFLON	E.I. DuPont De Nemours & Company
ULTIMET	Haynes International, Inc.
VITON	E.I. DuPont De Nemours & Company

**VALVES & MEASUREMENT**

3250 Briarpark Drive, Suite 300
Houston, Texas 77042
USA Toll Free 800 323 9160

For the most current contact and location information go to: www.c-a-m.com/valvesandmeasurement